

2.5.3. Slat Actuator Heaters

Actuators #1 (S1) and #2 (S2) require the PA-200124-817 heaters and actuator #3 (S3) requires the PA-200124-806 heater. The PA-200124-817 heater consists of two heating elements and a thermistor, while the PA-200124-806 contains a single heating element and thermistor. The PA-200124-817 heaters are secured to the square portion of the slat actuators as shown in Figure 12. The PA-200124-806 heater is a circular design to fit securely around actuator 3 as shown in Figure 13. The heaters may be inspected with the slats extended. The heater orientation on the actuator may be adjusted for best fit during installation.

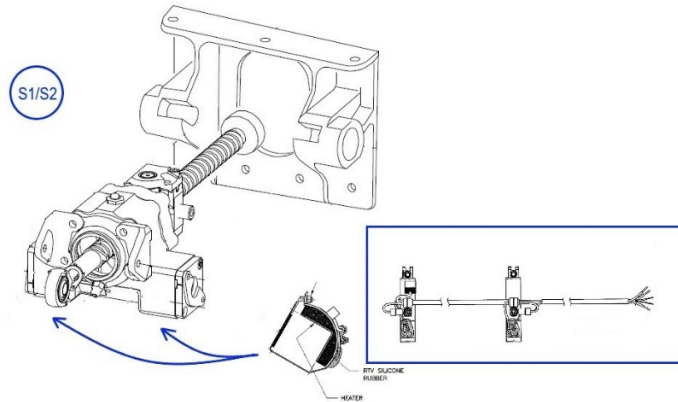


Figure 12: #1 Slat (Inboard) and #2 Slat (Mid) Actuator Heater Installation

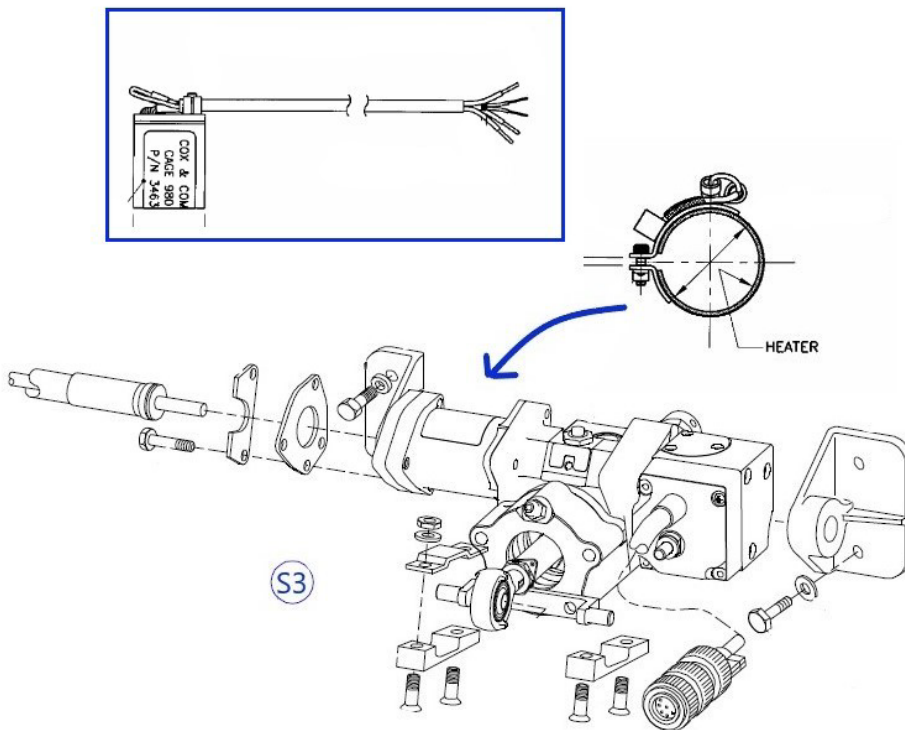


Figure 13: #3 Slat (Outboard) Heater Installation

Document No.	Title	Page
E-GS-20-0008 Rev IR	ICA, Flap/Slat Actuator Heater System, Gulfstream G150	14 of 28